


B5325M	Output Power 输出功率:10W-50W	Weight 重量: 500g(Approx.)
---------------	---------------------------	--------------------------

Brushless Motor-Typical Application 直流无刷电机-典型应用

With External Driving Controller 含外置驱动器

Specialized for Automotive Parts: EGR Pump, Urea Pump

专用于汽车部件: 尾气循环泵, 尿素泵



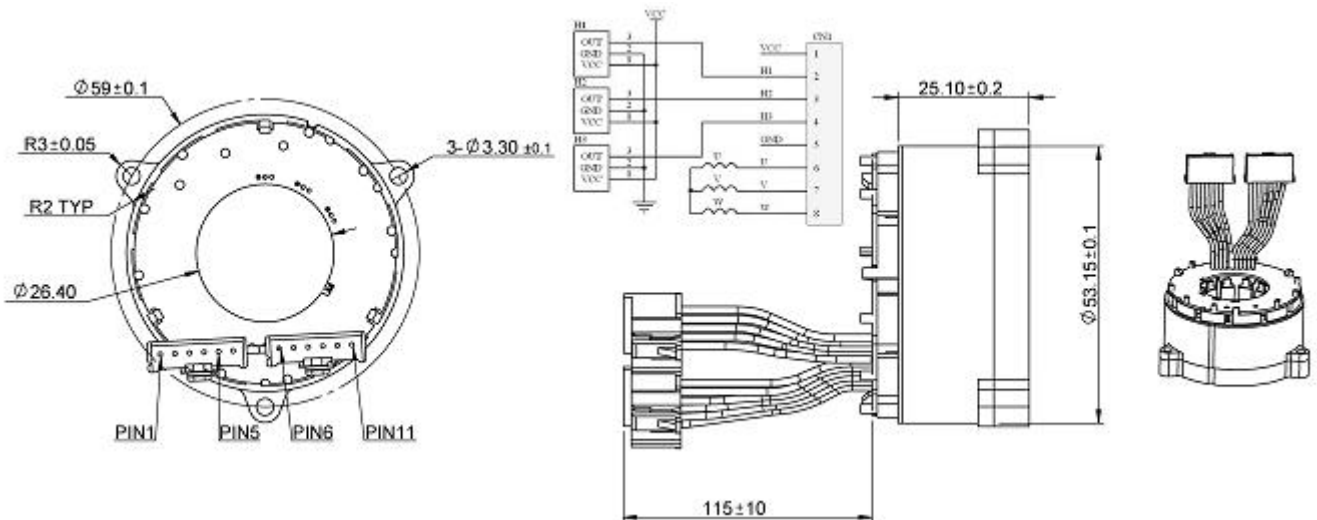
Model 型号	Voltage(V) 电压		No Load 空载		Rated Load 额定负载				Stall 堵转	
	Operating Range	Rated	Speed (rpm)	Current (A)	Torque (mNm)	Speed (rpm)	Current (A)	Output P. (W)	Torque (mNm)	Current (A)
B5325M-S01	8-12	12	4165	0.4	60	3061	2.30	19.23	226	7.6

Characteristic: CW & CCW, Signal function available, Locked rotor protection, Stepless speed regulation, Low noise, Low EMI, Long life 10000-50000hrs
特征: 双转向, 信号功能, 锁定保护, 无级调速, 低噪音, 低电磁干扰, 超长寿命 10000-50000 小时

Notice: Data in this typical specification sheet are for other certain customer. Voltage, rated torque, speed, current, power and shaft extension feature & dimension can be changed to meet customer specific requirement.

注意: 上述规格仅针对特定客户, 电压、扭矩、转速、电流、功率、输出轴的特征和尺寸等都可以按照客户的特殊要求进行调整。

Outline Drawing 外形图: Usable machine screw length 6.0mm max from motor mounting surface Unit: Millimeter

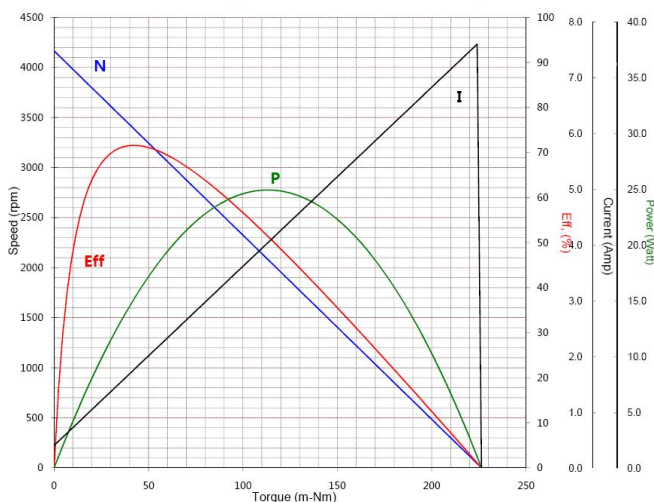


Performance Curve 性能曲线:

B5325M-S01

12V

Connector introduce 接线说明



总表 连接说明			
信号	颜色	引线规格AWG	PIN口
Gnd	GRAY/灰	22	PIN4
H3	BLUE/蓝	22	PIN1
H2	ORANGE/橙	22	PIN2
H1	BROWN/棕	22	PIN3
VCC	YELLOW/黄	22	PIN5
U1	RED/红	22	PIN6
U2	RED/红	22	PIN7
V1	GREEN/绿	22	PIN10
V2	GREEN/绿	22	PIN11
W1	BLACK/黑	22	PIN8
W2	BLACK/黑	22	PIN9

地址: 广东省深圳市宝安区福海新田大道福宁高新产业园 A 栋、F 栋

Address: Building A & F, Funing Hi-Tech Park, Xintian Road, Fuhai, BaoAn District, Shenzhen, Guangdong Province, China

电话 Tel: 86-755-29169191,29169292 传真 Fax: 86-755-29169007 邮箱 Email:sales@hengdrive.com 网址 Http://www.hengdrive.com