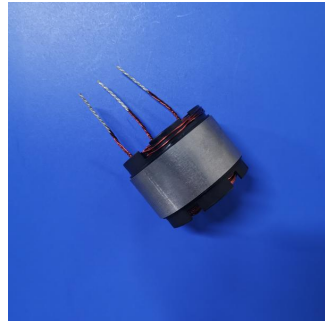


B5240M	Output Power 输出功率:10-110W	Weight 重量: 200g(Approx.)
Brushless DC Motor-Typical Application 直流无刷电机-典型应用 Specialized for Automotive Electric Water Pump 专用于汽车电子水泵		

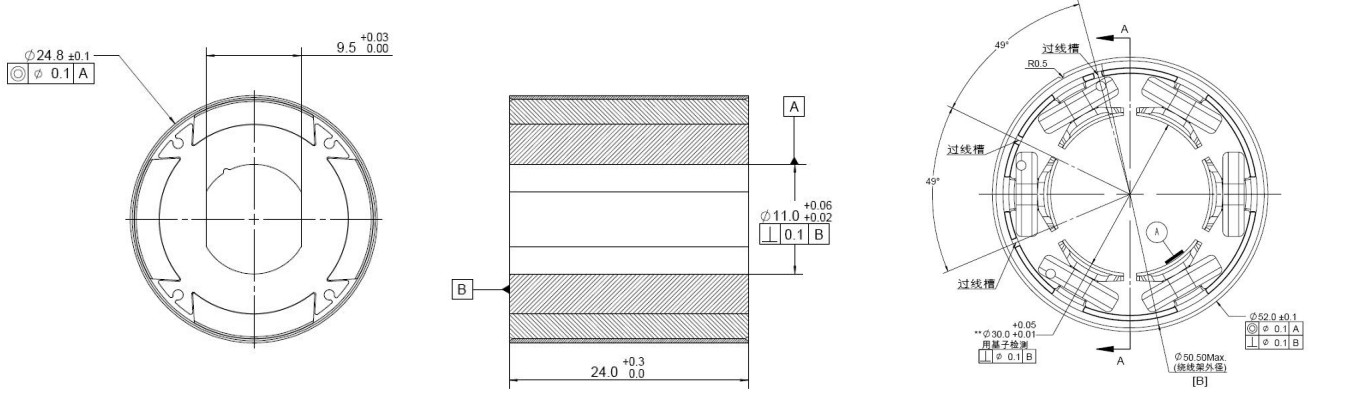
Model 型号	Voltage(V) 电压		No Load 空载		Rated Load 额定负载				Stall 堵转	
	Operating Range	Rated	Speed (rpm)	Current (A)	Torque (mNm)	Speed (rpm)	Current (A)	Output P. (W)	Torque (mNm)	Current (A)
B5240M-S01	8~48	36	8636	0.52	150	6014	3.45	94	494	10.17

Characteristic: Low noise, Low EMI, Long life 10000-50000hrs **特征:** 低噪音, 低电磁干扰, 超长寿命 10000-50000 小时

Notice: Data in this typical specification sheet are for other certain customer, the specific BLDC motor performance and dimension can be changed by adjusting winding, magnetic field, controller parameter and relevant mechanical factor to meet different customer requirement.

注意: 上述规格仅针对特定客户, 对于您的特殊要求, 可以通过调整绕组、磁场、控制参数和相关机械参数来达到您的不同要求。

Outline Drawing 外形图:



Usable machine screw length 8.0mm max. from motor mounting surface

Unit: Millimeter

Performance Curve 性能曲线:

