

B5035M	Output Power 输出功率: 10W~30W	Weight 重量: 470g (Approx.)
---------------	----------------------------	---------------------------

Brushless DC Motor-Typical Application 直流无刷电机-典型应用

Specialized for Auto Turbocharger

专用于汽车涡轮增压器



Model 型号	Voltage(V) 电压		No Load 空载		Rated Load 额定负载			Stall 堵转		
	Operating Range	Rated	Speed (rpm)	Current (A)	Torque (mNm)	Speed (rpm)	Current (A)	Output P. (W)	Torque (mNm)	Current (A)
B5035M-S01	8~26	24	3720	0.15	39.2	3014	0.73	12.4	206	3.2

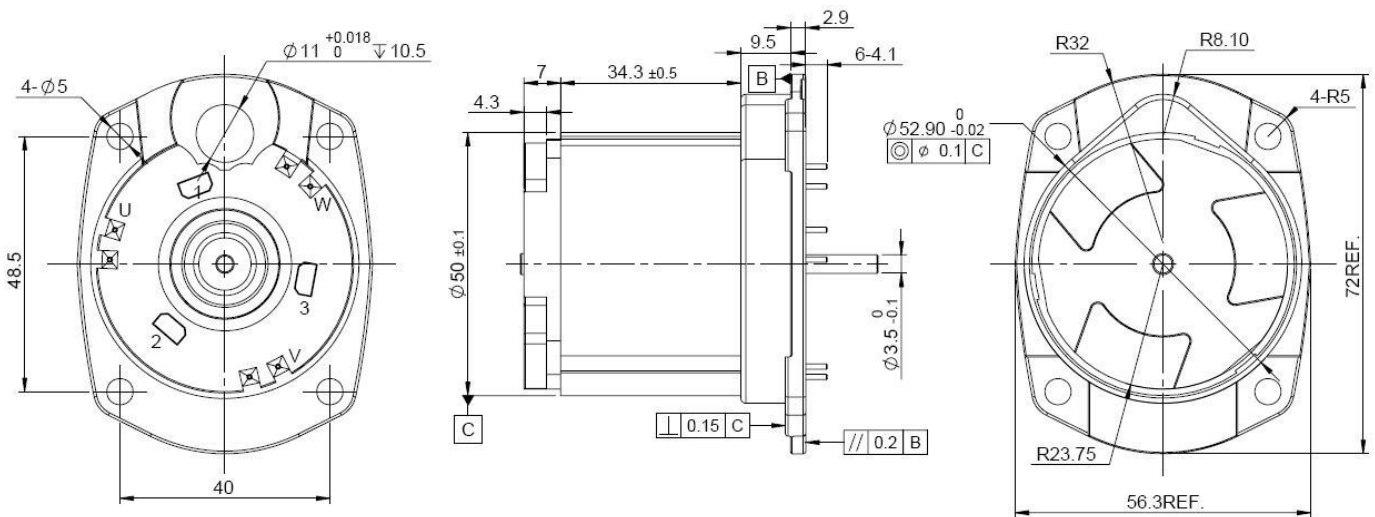
Characteristic: Low noise, Low EMI, Long life 10000-50000hrs

特征: 低噪音, 低电磁干扰, 超长寿命 10000-50000 小时

Notice: Data in this typical specification sheet are for other certain customer, the specific BLDC motor performance and dimension can be changed by adjusting winding, magnetic field, controller parameter and relevant mechanical factor to meet different customer requirement.

注意: 上述规格仅针对特定客户, 对于您的特殊要求, 可以通过调整绕组、磁场、控制参数和相关机械参数来达到您的不同要求。

Outline Drawing 外形图:



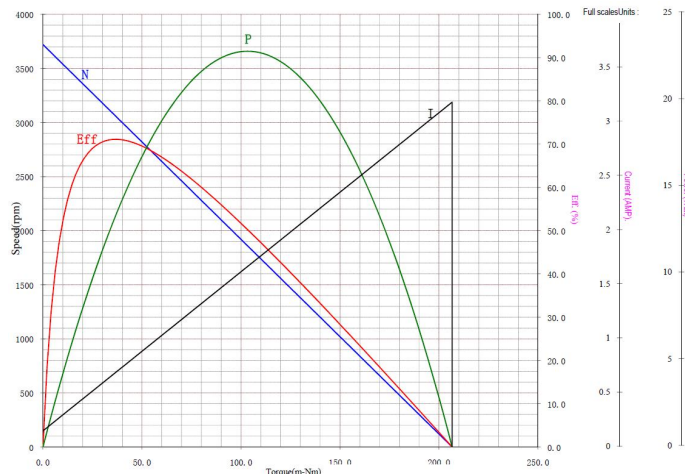
Usable machine screw length 8.0mm max. from motor mounting surface

Unit: Millimeter

Performance Curve 性能曲线:

B5035M-S01

24V



地址: 广东省深圳市宝安区福海新田大道福宁高新产业园 A 栋、F 栋

Address: Building A & F, Funing Hi-Tech Park, Xintian Road, Fuhai, BaoAn District, Shenzhen, Guangdong Province, China

电话 Tel: 86-755-29169191, 29169292 传真 Fax: 86-755-29169007 邮箱 Email: sales@hengdrive.com 网址 Http://www.hengdrive.com