

B4228S	Outer Rotor	Output Power 输出功率: 50W~200W	Weight 重量:140g (Approx.)
	外转子		

Brushless DC Motor-Typical Application 直流无刷电机-典型应用

Home Application: Vacuum Cleaner, Stirrer, High Speed Fan

家用电器: 吸尘器, 搅拌器, 高速风扇

Personal Care: Hair Dryer 个人护理: 电吹风

Medical Apparatus: Medical Stirrer, Centrifugal Machine

医疗器械: 医用搅拌器, 离心机, 制氧机

Industry Equipment: Clearing Machine, Blower Fan

工业设备: 清洁机, 鼓风机

Business Equipment: Cordless Drill, Electric Tool

商业设备: 充电钻, 电动工具



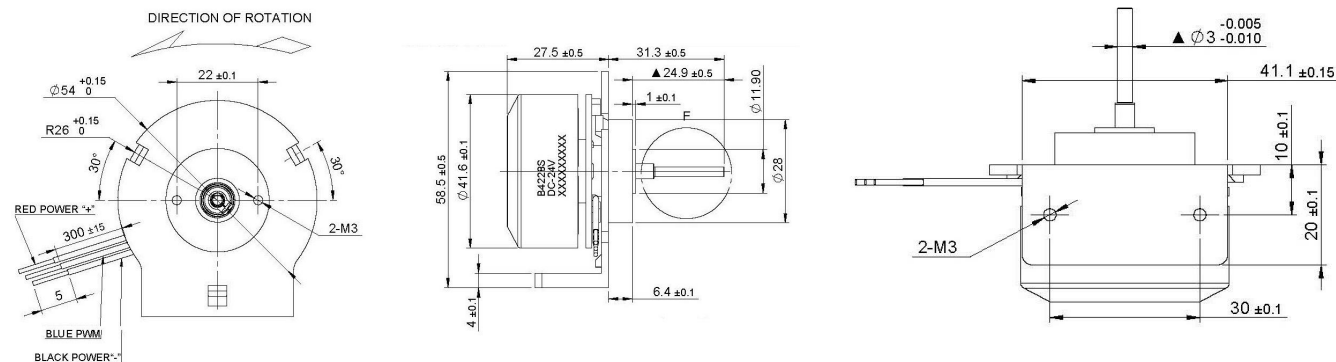
Model 型号	Voltage(V) 电压		No Load 空载		Rated Load 额定负载				Stall 堵转	
	Operating Range	Rated	Speed (rpm)	Current (A)	Torque (mNm)	Speed (rpm)	Current (A)	Output P. (W)	Torque (mNm)	Current (A)
B4228S-S01	8-20	14.4	29114	1.70	40	24480	9.00	102.5	251.3	15
B4228S-S02	8-20	18	31200	1.46	45	25691	8.50	121.0	254.5	15
B4228S-S03	12-26	24	29220	1.10	50	26029	7.24	136.0	454.5	15
B4228S-S04	AC85-165V	110VAC	25420	0.31	40	19278	1.43	80.7	165.4	2.0
B4228S-S05	AC185-265V	220VAC	24300	0.22	40	19495	0.93	81.6	202.0	2.0
B4228S-S06	DC310V	310VDC	25033	0.23	40	19538	0.96	81.2	201.0	2.0
B4228S-S07	AC185-265V	220VAC	28000	0.15	60	19200	1.35	120.0	192.6	4.0

Characteristic: Signal function available, Locked rotor protection, Stepless speed regulation, Low noise, Low EMI, Long life 10000-30000hrs
特征: 信号功能, 锁定保护, 无级调速, 低噪音, 低电磁干扰, 超长寿命 10000-30000 小时

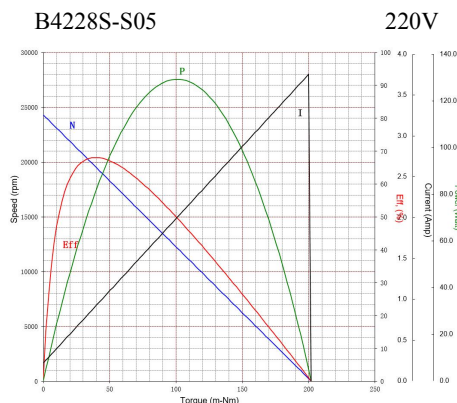
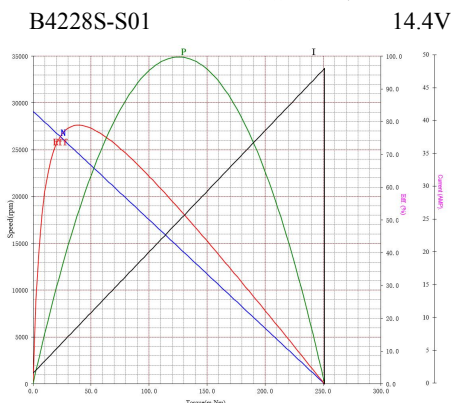
Notice: Data in this typical specification sheet are for other certain customer. Voltage, rated torque, speed, current, power and shaft extension feature & dimension can be changed to meet customer specific requirement.

注意: 上述规格仅针对特定客户, 电压、扭矩、转速、电流、功率、输出轴的特征和尺寸等都可以按照客户的特殊要求进行调整。

Outline Drawing 外形图: Unit: Millimeter



Performance Curve 性能曲线:



地址: 广东省深圳市宝安区福海新田大道福宁高新产业园 A 栋、F 栋

Address: Building A & F, Funing Hi-Tech Park, Xintian Road, Fuhai, BaoAn District, Shenzhen, Guangdong Province, China

电话 Tel: 86-755-29169191,29169292 传真 Fax: 86-755-29169007 邮箱 Email:sales@hengdrive.com 网址 Http://www.hengdrive.com