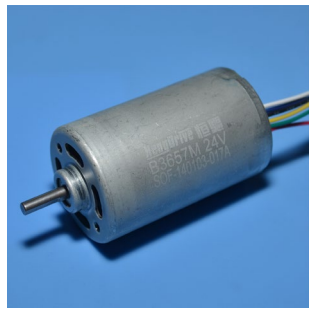


B3657M	Output Power 输出功率: 5W~80W	Weight 重量: 220g (Approx.)
---------------	---------------------------	---------------------------

Brushless DC Motor-Typical Application 直流无刷电机-典型应用
 Automotive Parts: Pump, Valve, Actuator 汽车部件: 泵, 阀, 执行器
 Home Application: White Goods, Small Appliance, Fan, Coffee Machine, Milk Tea Machine
 家用电器: 白色家电, 小家电, 风扇, 咖啡机, 奶茶机
 Medical Apparatus: Medical Pump, Surgery Tools, Medical Stirrer, Centrifugal Machine
 医疗器械: 医疗泵, 手术器械, 搅拌器, 离心机
 Power Tools: Screwdriver, Drill, Air Compressor
 电动工具: 电动螺丝批, 电钻, 气体压缩机
 Business Equipment: Printer, Copier, Projector, ATM, Vending Machine
 商业设备: 打印机, 复印机, 投影机, ATM机, 售卖机
 Personal Care: Hair Dryer, Electric Shaver, Massager 个人护理: 风筒, 电动须刨, 按摩器

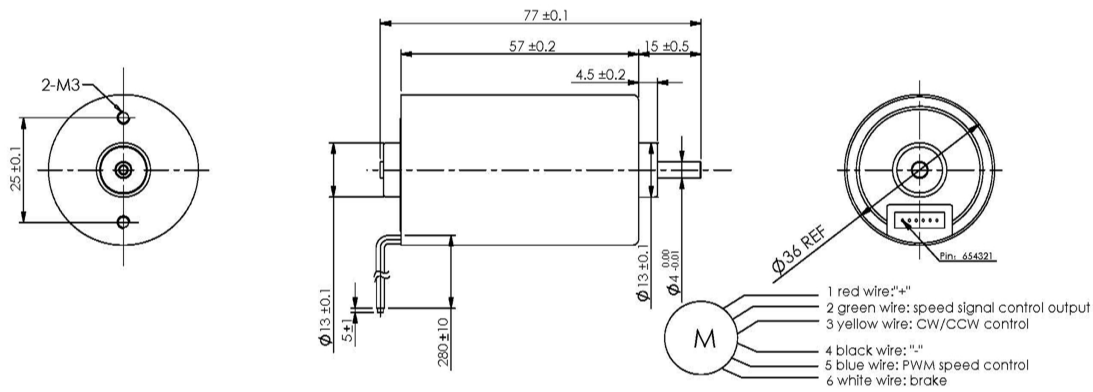


Model 型号	Voltage(V) 电压		No Load 空载		Rated Load 额定负载				Stall 堵转	
	Operating Range	Rated	Speed (rpm)	Current (A)	Torque (mNm)	Speed (rpm)	Current (A)	Output P. (W)	Torque (mNm)	Current (A)
B3657M-S01	8-26	12	3170	0.26	29.4	2760	1.12	8.6	181.5	2.5
B3657M-S02	8-26	12	3100	0.24	40.22	2560	1.31	10.78	215.8	2.5
B3657M-S03	8-26	24	6830	0.34	40.20	6134	1.48	25.80	195.0	2.5
B3657M-S04	8-26	24	26707	0.68	29.43	21132	3.79	65.13	139.47	5.0
B3657M-S05	8-26	24	4743	0.25	98.00	3486	2.24	35.78	369.87	5.0

Characteristic: CW & CCW, Signal function available, Locked rotor protection, Stepless speed regulation, Low noise, Low EMI, Long life 10000-50000hrs
特征: 双转向, 信号功能, 锁定保护, 无级调速, 低噪音, 低电磁干扰, 超长寿命 10000-50000 小时

Notice: Data in this typical specification sheet are for other certain customer. Voltage, rated torque, speed, current, power and shaft extension feature & dimension can be changed to meet customer specific requirement.
注意: 上述规格仅针对特定客户, 电压、扭矩、转速、电流、功率、输出轴的特征和尺寸等都可以按照客户的特殊要求进行调整。

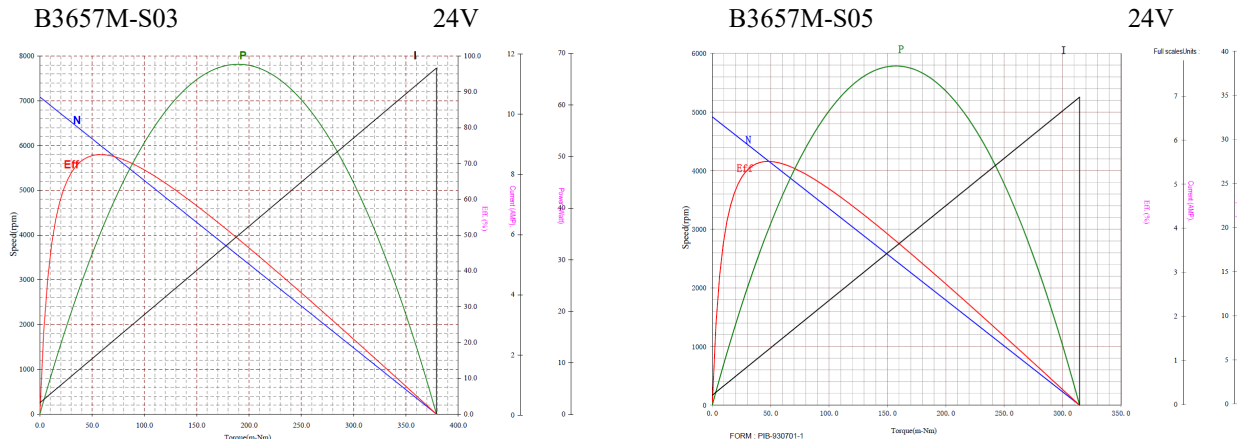
Outline Drawing 外形图:



Usable machine screw length 4.0mm max from motor mounting surface

Unit: Millimeter

Performance Curve 性能曲线:



地址: 广东省深圳市宝安区福海新田大道福宁高新产业园 A 栋、F 栋

Address: Building A & F, Funing Hi-Tech Park, Xintian Road, Fuhai, BaoAn District, Shenzhen, Guangdong Province, China

电话 Tel: 86-755-29169191,29169292 传真 Fax: 86-755-29169007 邮箱 Email:sales@hengdrive.com 网址 Http://www.hengdrive.com