

B3060M	Output Power 输出功率: 1W~55W	Weight 重量: 200g (Approx.)
---------------	---------------------------	---------------------------

Brushless DC Motor-Typical Application (In development) 直流无刷电机-典型应用 (研发中)

Automotive Parts: Pump, Valve 汽车部件: 泵, 阀

Home Application: Water Pumps, Air Pumps, Small Appliance, Fanner, Electric Curtain
 家用电器: 水泵, 气泵, 小家电, 风扇, 电动窗帘

Medical Apparatus: Medical Pump, Infusion Pump, Surgery Tools, Medical Stirrer,

Centrifugal Machine 医疗器械: 医疗泵, 输液泵, 手术器械, 搅拌机, 离心机

Industry Equipment: Electric Valve, Actuator, Micro Pumps

工业设备: 阀门, 致动器, 水泵, 气泵, 液泵, 油泵

Business Equipment: Printer, Copier, Projector, ATM, Vending Machine

商业设备: 打印机, 复印机, 投影机, ATM 机, 售卖机



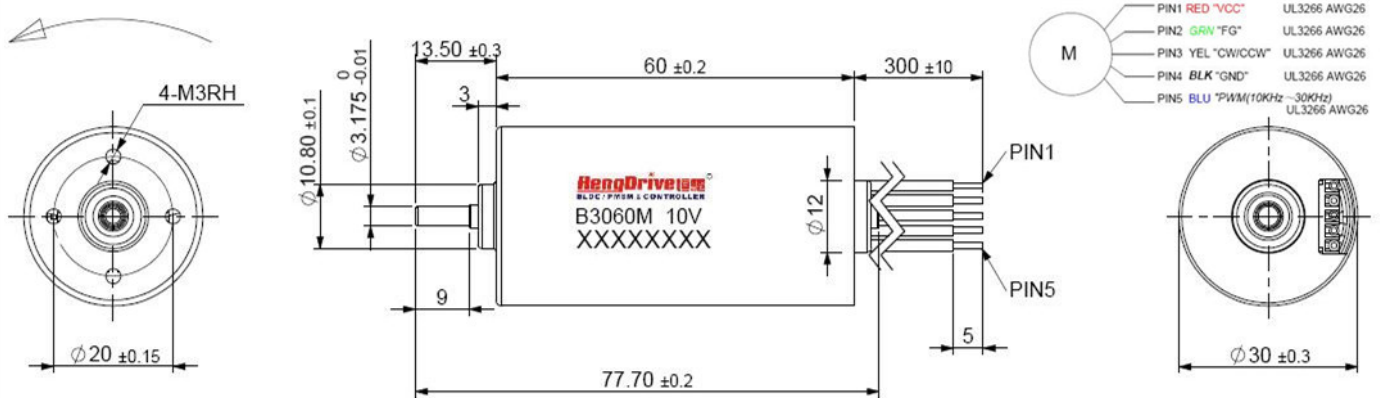
Model 型号	Voltage(V) 电压		No Load 空载		Rated Load 额定负载				Stall 堵转	
	Operating Range	Rated	Speed (rpm)	Current (A)	Torque (mNm)	Speed (rpm)	Current (A)	Output P. (W)	Torque (mNm)	Current (A)
B3060M-S01	8-14	10	7200	0.51	200	1296	14	27.2	243	20
B3060M-S02	8-26	12	8070	0.67	70	5730	4.62	42	241	14
B3060M-S03	8-26	24	6000	0.17	55	4600	1.45	26.6	237	2.4

Characteristic: CW & CCW, Signal function available, Locked rotor protection, Stepless speed regulation, Low noise, Low EMI, Long life 10000-50000hrs
特征: 双转向, 信号功能, 锁定保护, 无级调速, 低噪音, 低电磁干扰, 超长寿命 10000-50000 小时

Notice: Data in this typical specification sheet are for other certain customer. Voltage, rated torque, speed, current, power and shaft extension feature & dimension can be changed to meet customer specific requirement.

注意: 上述规格仅针对特定客户, 电压、扭矩、转速、电流、功率、输出轴的特征和尺寸等都可以按照客户的特殊要求进行调整。

Outline Drawing 外形图:



Usable machine screw length 3.0mm max. from motor mounting surface

Unit: Millimeter

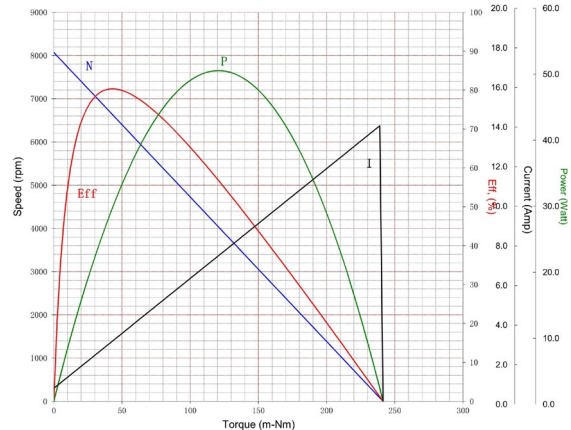
Performance Curve 性能曲线:

B3060M-S01

10V

B3060M-S02

12V



地址: 广东省深圳市宝安区福海新田大道福宁高新产业园 A 栋、F 栋

Address: Building A & F, Funing Hi-Tech Park, Xintian Road, Fuhai, BaoAn District, Shenzhen, Guangdong Province, China

电话 Tel: 86-755-29169191,29169292 传真 Fax: 86-755-29169007 邮箱 Email:sales@hengdrive.com 网址 Http://www.hengdrive.com