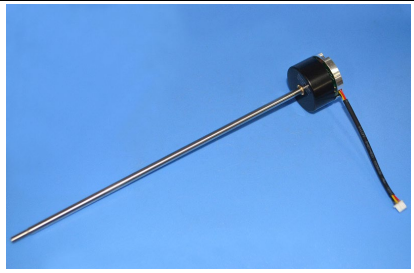


<b>B2819S</b>	<b>Outer Rotor</b>	Output Power 输出功率: 0.05W~3.5W	Weight 重量: 57g (Approx.)
	外转子		

**3-Phase Brushless DC Motor-Typical Application 三相无刷直流电机-典型应用**

Home Application: Sous Vide  
家用电器: 慢煮机

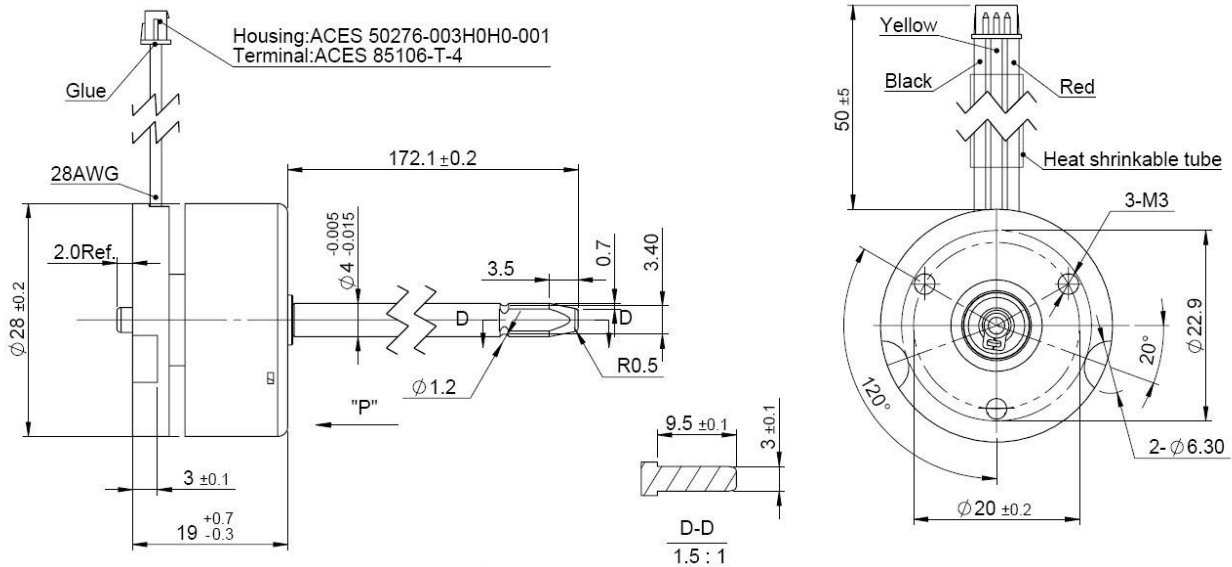


Model 型号	Voltage(V) 电压		No Load 空载		Rated Load 额定负载				Stall 堵转	
	Operating Range	Rated	Speed (rpm)	Current (A)	Torque (mNm)	Speed (rpm)	Current (A)	Output P. (W)	Torque (mNm)	Current (A)
B2819S-S01	5-14	12	2951	0.06	5	2622	0.21	1.37	44.64	1.38
B2819S-S02	5-14	12	3129	0.05	15	2153	0.48	3.38	48.04	1.43

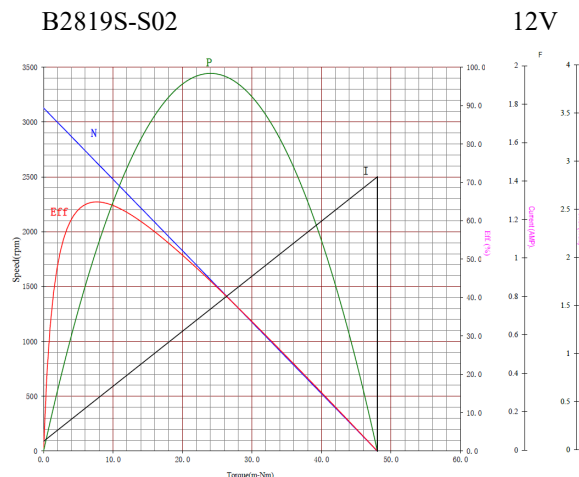
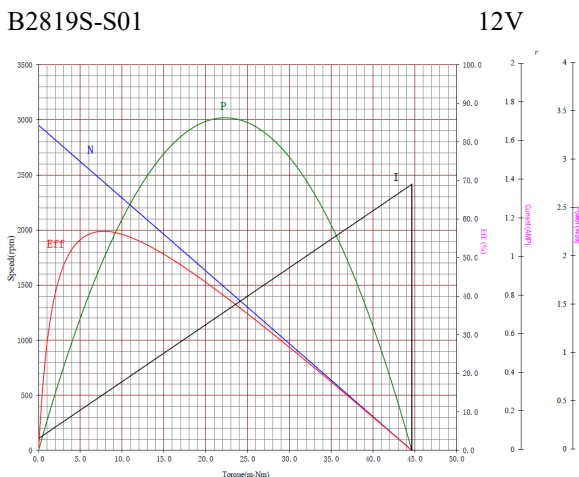
**Characteristic:** With U,V,W wires, Low noise, Low EMI, Long life 3000-15000hrs  
**特征:** 三根相线, 低噪音, 低电磁干扰, 超长寿命 3000-15000 小时

**Notice:** Data in this typical specification sheet are for other certain customer. Voltage, rated torque, speed, current, power and shaft extension feature & dimension can be changed to meet customer specific requirement.  
**注意:** 上述规格仅针对特定客户, 电压、扭矩、转速、电流、功率、输出轴的特征和尺寸等都可以按照客户的特殊要求进行调整。

**Outline Drawing 外形图:** Unit: Millimeter



**Performance Curve 性能曲线:**



地址: 广东省深圳市宝安区福海新田大道福宁高新产业园 A 栋、F 栋

Address: Building A & F, Funing Hi-Tech Park, Xintian Road, Fuhai, BaoAn District, Shenzhen, Guangdong Province, China

电话 Tel: 86-755-29169191, 29169292 传真 Fax: 86-755-29169007 邮箱 Email: sales@hengdrive.com 网址 Http://www.hengdrive.com