

B1625S	Outer Rotor	Output Power 输出功率: 0.1W~3W	Weight 重量: 22 g (Approx.)
	外转子		

Brushless DC Motor-Typical Application 直流无刷电机-典型应用

Communication Device Antenna RCU 通信设备: 天线控制单
 Automotive Parts: Micro Pump, Switcher 汽车部件: 微型泵, 切换器
 Business Equipment: Scanner, Cash Register 商业设备: 扫描仪, 点钞机
 Home Application: Small Appliance, Kitchen Appliance, Smart Home, Micro Actuate
 家用电器: 小家电, 厨房电器, 智能家居, 微型致动器
 Medical Apparatus: Medical Pump, Liquid Pump, Gas Pump
 医疗器械: 医疗泵, 液泵, 气泵
 Industry Equipment: Micro Pump, Micro Valve, Instrument, Meter
 电动工具: 微型泵, 微型阀门, 仪器仪表
 Personal Care: Skin Care, Beauty Apparatus 个人护理: 皮肤护理, 美容器材



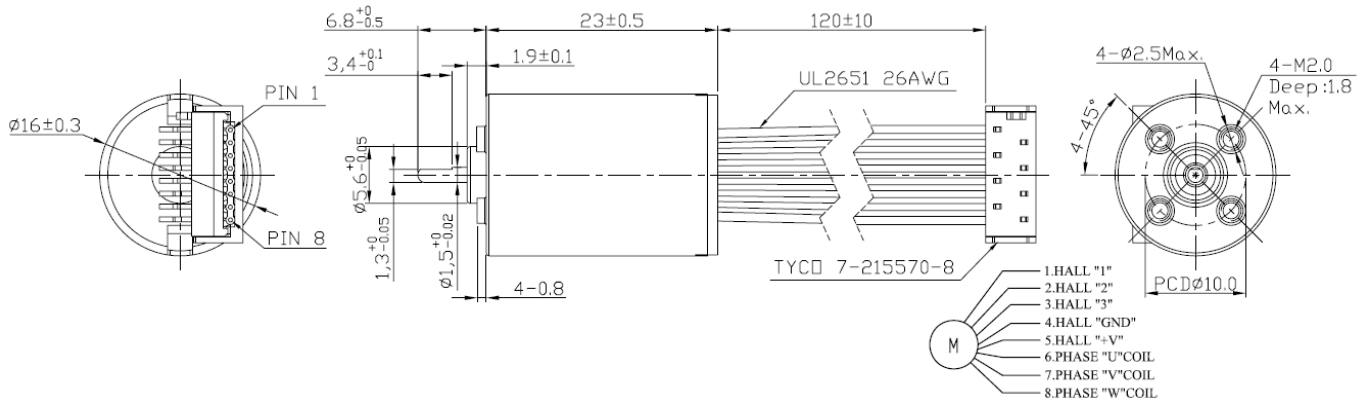
Model 型号	Voltage(V) 电压		No Load 空载		Rated Load 额定负载				Stall 堵转	
	Operating Range	Rated	Speed (rpm)	Current (A)	Torque (mNm)	Speed (rpm)	Current (A)	Output P. (W)	Torque (mNm)	Current (A)
B1625S-S01	5-30	8.5	13343	0.121	1.8	10578	0.45	1.99	8.56	0.9
B1625S-S02	5-30	12	10040	0.049	1.2	7991	0.17	1.01	5.88	0.8
B1625S-S03	5-30	24	16077	0.038	1.7	13399	0.17	2.39	10.21	0.2

Characteristic: Signal function available, Locked rotor protection, Stepless speed regulation, Low noise, Low EMI, Long life 10000-30000hrs
特征: 信号功能, 锁定保护, 无级调速, 低噪音, 低电磁干扰, 超长寿命 10000-30000 小时 内置 HALL PCB (外置驱动板)

Notice: Data in this typical specification sheet are for other certain customer. Voltage, rated torque, speed, current, power and shaft extension feature & dimension can be changed to meet customer specific requirement.

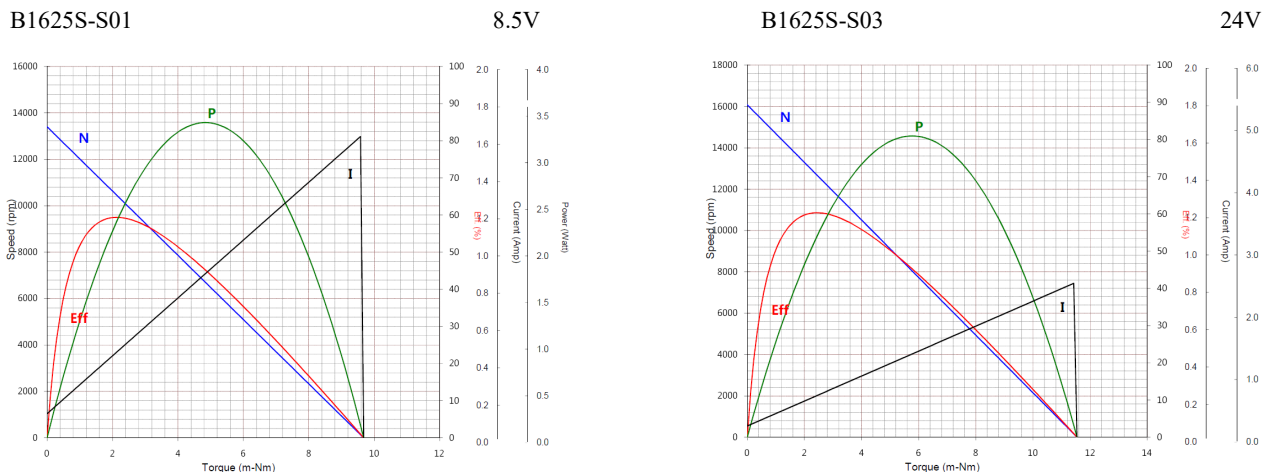
注意: 上述规格仅针对特定客户, 电压、扭矩、转速、电流、功率、输出轴的特征和尺寸等都可以按照客户的特殊要求进行调整。

Outline Drawing 外形图:



Unit: Millimeter

Performance Curve 性能曲线:



地址: 广东省深圳市宝安区福海新田大道福宁高新产业园 A 栋、F 栋

Address: Building A & F, Funing Hi-Tech Park, Xintian Road, Fuhai, BaoAn District, Shenzhen, Guangdong Province, China

电话 Tel: 86-755-29169191, 29169292 传真 Fax: 86-755-29169007 邮箱 Email: sales@hengdrive.com 网址 Http://www.hengdrive.com