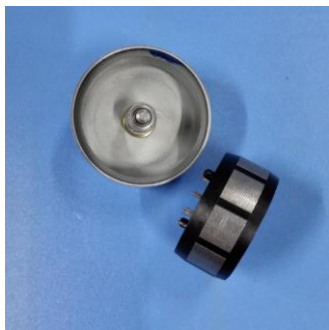


| | | | | |
|--|---------------|--------------------|-------------------|-----------------|
|  | B4222S | Outer Rotor | Output Power 输出功率 | Weight 重量:100 g |
| | | 外转子 | 率: 10W~50W | (Approx.) |
| Brushless DC Motor-Typical Application (In development) 无刷直流电机-典型应用 (研发中) | | | | |
| With External Driving Controller 含外置驱动控制器 | | | | |
| Specialized for Bicycle Transmission 专用于自行车变速器 | | | | |

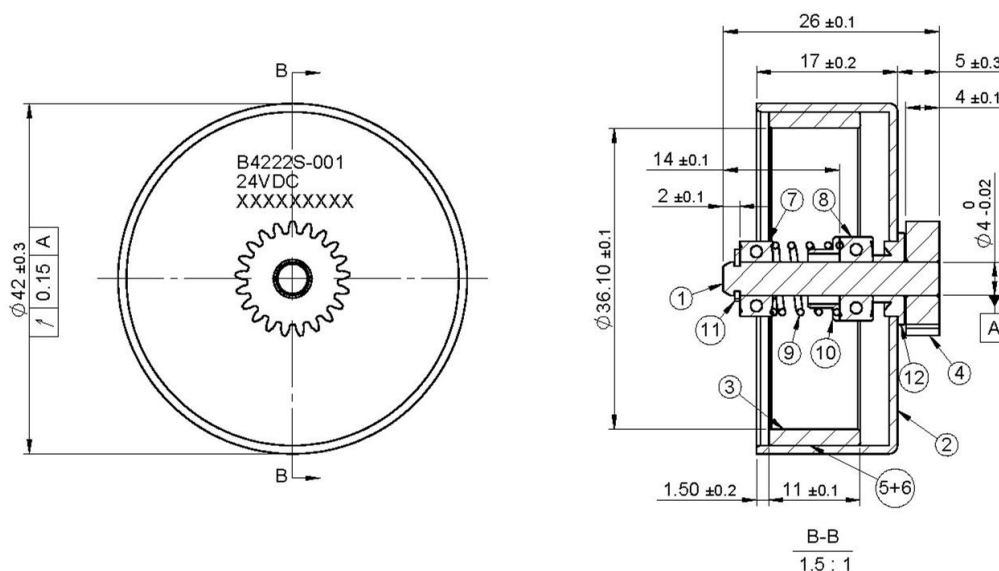
| Model 型号 | 电压 Voltage(V) | | No Load 空载 | | Rated Load 额定负载 | | | Stall 堵转 | | |
|-------------|-----------------|-------|-------------|-------------|-----------------|-------------|-------------|---------------|--------------|-------------|
| | Operating Range | Rated | Speed (rpm) | Current (A) | Torque (mNm) | Speed (rpm) | Current (A) | Output P. (W) | Torque (mNm) | Current (A) |
| B4222S-S01 | 8-26 | 24 | 6137 | 0.15 | 14 | 5780 | 0.48 | 8.47 | 240 | 15 |

Characteristic: CW & CCW, Signal function available, Locked rotor protection, Stepless speed regulation, Low noise, Low EMI, Long life 10000-50000hrs
特征: 双转向, 信号功能, 无级调速, 低噪音, 低电磁干扰, 超长寿命 10000-50000 小时

Notice: Data in this typical specification sheet are for other certain customer. Voltage, rated torque, speed, current, power and shaft extension feature & dimension can be changed to meet customer specific requirement.

注意: 上述规格仅针对特定客户, 电压、扭矩、转速、电流、功率、输出轴的特征和尺寸等都可以按照客户的特殊要求进行调整。

Outline Drawing 外形图:

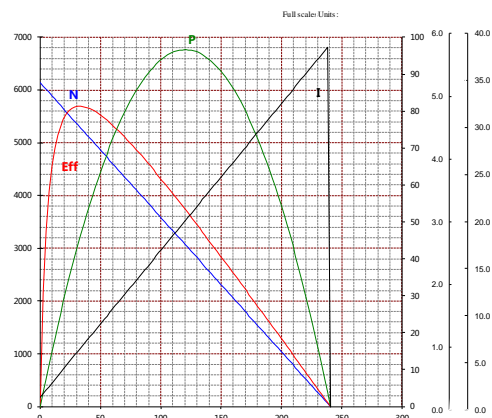


Unit: Millimeter

Performance Curve 性能曲线:

B4222S-S01

24V



地址: 广东省深圳市宝安区福永街道新田社区新田大道 71-1 号 A 栋

Address: Building A, 71-1# Xintian Road, Xintian Community, Fuyong Street, Baoan District, Shenzhen City, Guangdong Province, China

电话 Tel: 86-755-2916 9292 传真 Fax: 86-755-2916 9007 邮箱 Email: sales@hengdrive.com 网址 Http://www.hengdrive.com